

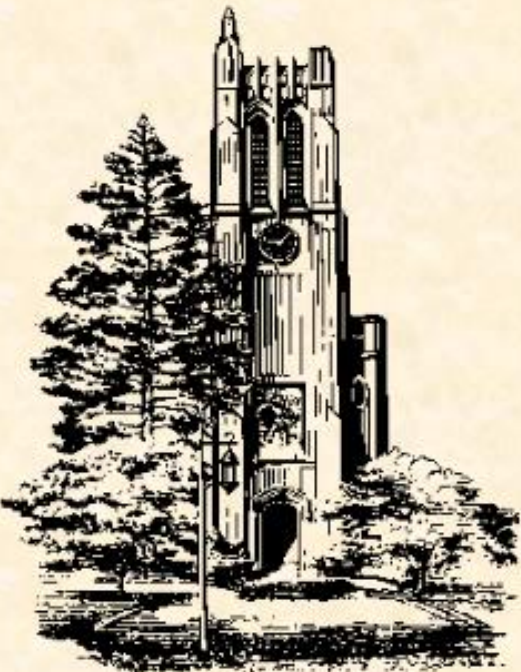
Alpha Demonstration Mobile User Generated Video Service

Team Motorola
CSE 498, Collaborative Design

Robert Gaul
Brandon Malicoat
Kurt Seippel
Jonathan Szykowski

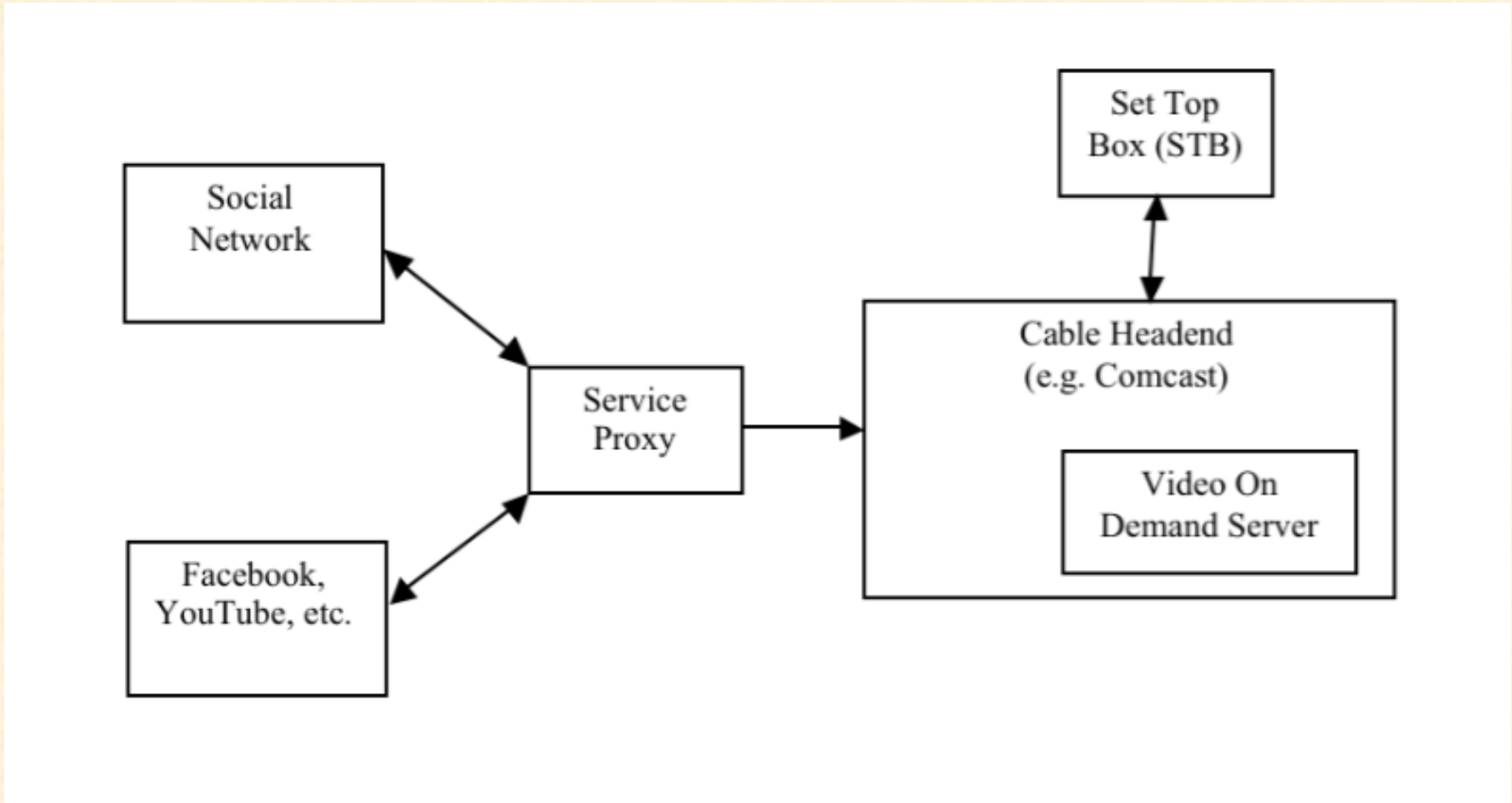
Department of Computer Science and Engineering
Michigan State University

Spring 2010





Architecture Illustrated





Project Overview

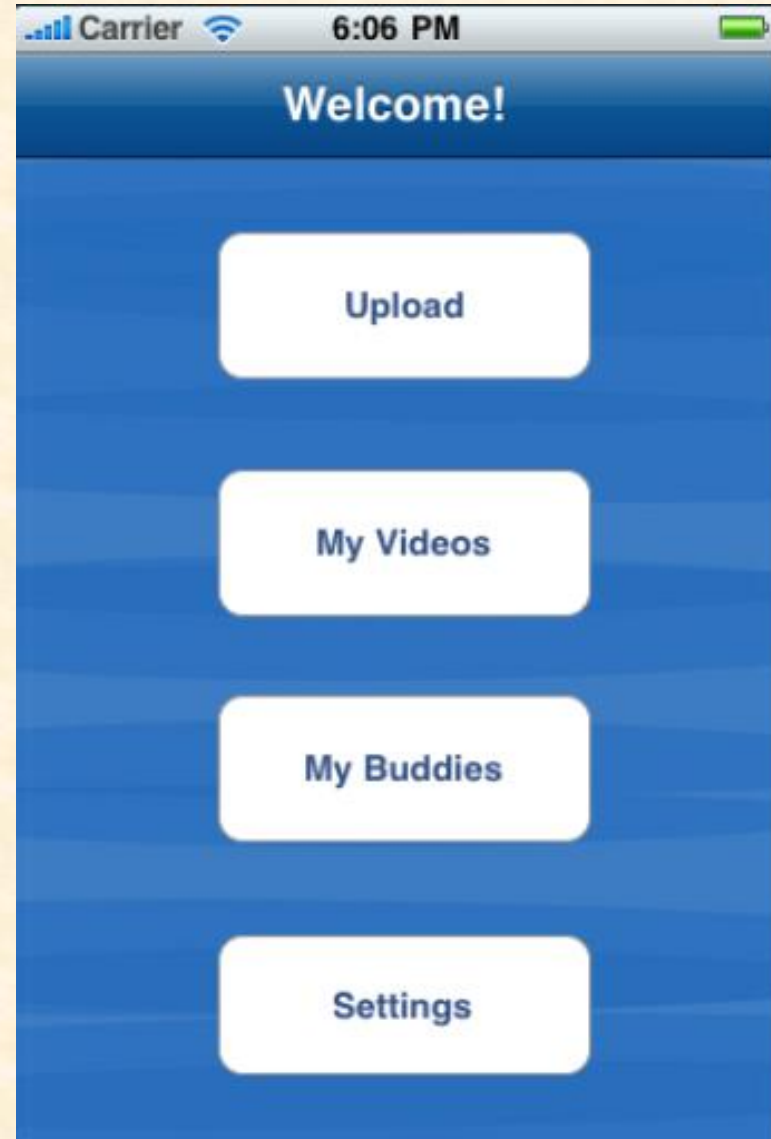
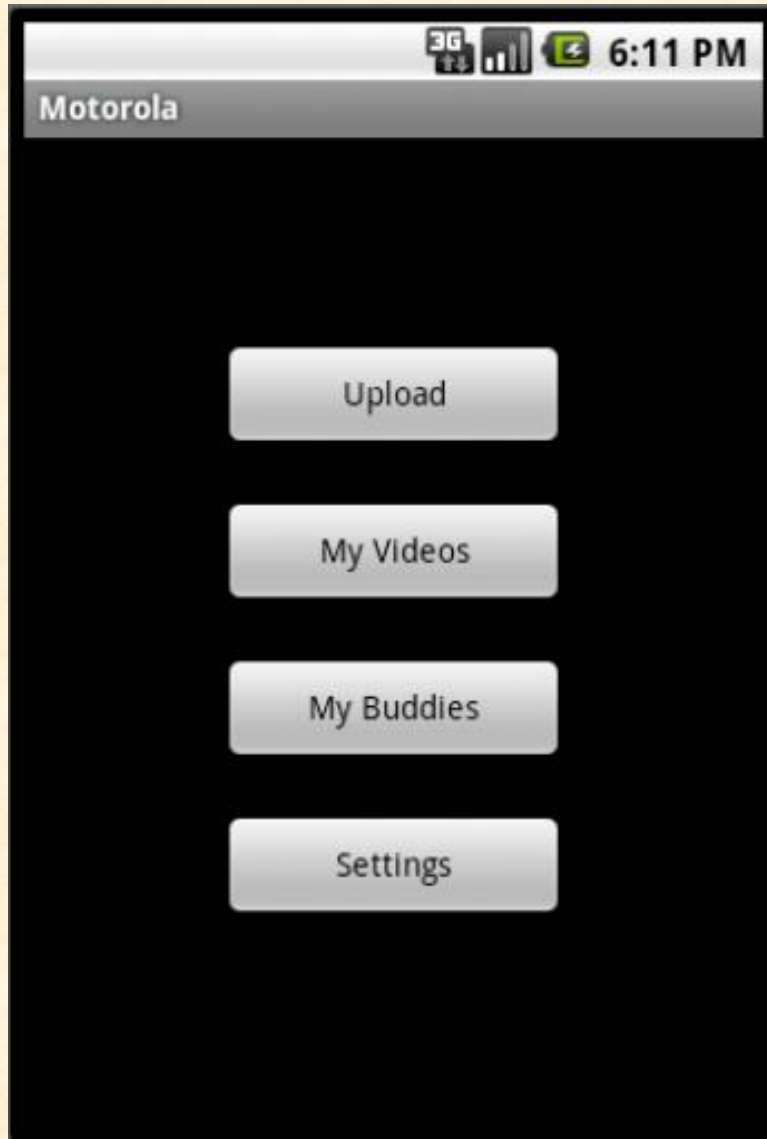
- Allow users to upload video via Android or iPhone device
- Associate friends via Social Network or either phone applications
- Friends can now watch the video on STB
- Enhancements to architecture
 - Streaming video
 - Universal account and multiple providers
 - Better viewing session for the user
 - Playlists



Screen Shot



Team Motorola





Screen Shot

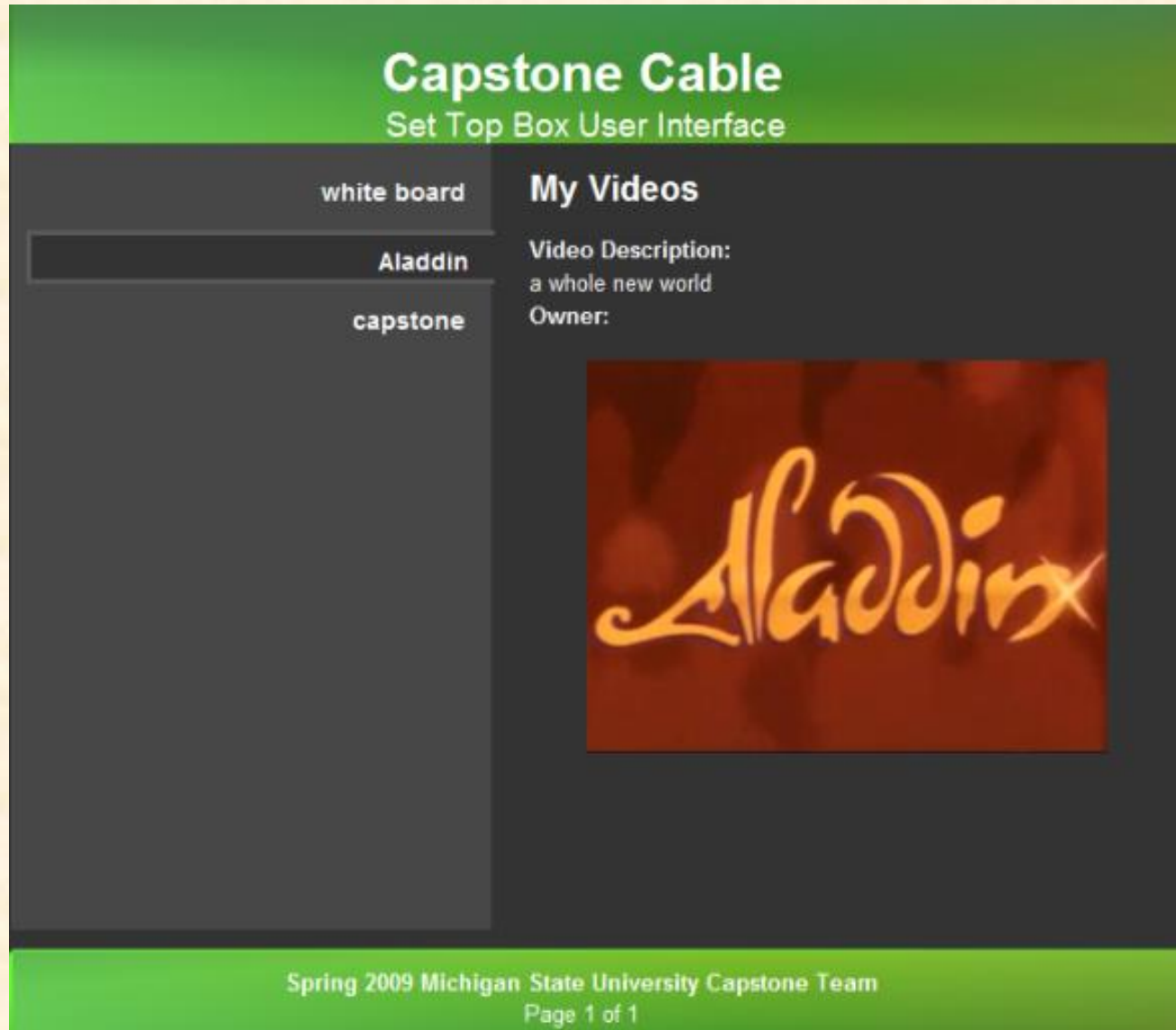


The screenshot displays the Capstone Cable website interface. At the top left is the Capstone Cable logo. To its right is a grey rounded rectangle containing the text "Welcome to Capstone Cable!" and "Manage your Capstone Cable account. Sign In | Create Account". Below this is a horizontal navigation bar with buttons for "Learn", "Shop", "TV Programming", "Customers", "User Generated Content", and "About". The main content area is a green-bordered box. On the left, there are two lists: "Videos" with items "Aladdin", "kurt thinking", and "RED RING"; and "Buddies" with items "bmalicoat" and "kurt". The central part features a video player for "kurt thinking" showing a man thinking, with a play button and a progress bar. To the right is an "Associated Buddies" list with "kurt" and "bmalicoat". At the bottom of the video player area are buttons for "Update Video Info", "Update", and "Deassociate".

Team Motorola



Screen Shot





What's left to do?

- Stream from Social Network directly to Set Top Box
- Fix services proxy database update
- Fix xStream to work properly
- Fix tricks to perform smoother and quicker
- Upgrade to latest TIBCO version
- Multi-view on STB
- View playlists